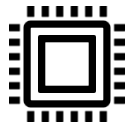


Interactive flat panel

TA-65/TA-75/TA-86



UHD Resolution



8GB RAM
128GB ROM



20 touch points



Android 14



Zero bonding



Share screen



Type-C



8 array



Split screen



Remote control

Interactive flat panel

Display

Size	65inch	75inch	86inch
Type	D-LED		
Aspect ratio	16:9		
Screen display size (mm)	1427.5*802.5	1648.74*926.94	1895.00*1065.00
Physical resolution	3840 × 2160 (4k)		
Display color	10bit/1.07 Billion		
Refresh rate	60Hz		
Brightness	≥400cd/m ²		
Contrast	4000:1		
Response time	6ms		
Viewing angle	178°/ 178°		
Display protection	4mm full tempered high explosion-proof glass		
Backlight life	50000 hours		

System

CPU	8*A55 (6780)
System version	Android 14
RAM	8 GB
ROM	128 GB
Operating temperature	0°C-40°C

INTERACTIVITY

Touch Technology	IR
Touch points	20 points
Positioning Accuracy	1mm
Drive Mode	Drive Mode
Writing method	Fingers, touch pens or other non-transparent objects not less than 5mm in diameter
Palm erase	Yes
Communication Port	USB 2.0
Reaction time (Single touch)	< 6ms
Touch resolution	32768 x 32768
Times of touches	Unlimited time in theoretical
Transfer speed	12Mb/s
Compatibility	Support windows, Android, Mac OS, Linux

Connectivity

Back port

HDMI out	x1
HDMI in	x1
Audio	x1
COAX(SPDIFF)	x1
Mic	x1
USB 3.0	x1
USB 2.0	x1

Interactive flat panel

RS232	x1
Touch out	x1
LAN	x1
WIFI	Wifi 6, support 100Mbps

Front port

USB Touch	x1
USB-A 3.0	x3
Type-C	x1

Dimension

Overall dimensions (mm, L×W×T)	1483.2*890.46*87.75	1705.36*1015.76*87.95	1951.56*1154.42*88.15
Net weight	37.7kg	51.5kg	67.2kg
Gross weight	46.5kg	64.6kg	85.2kg
Packaging size (mm, L×W×T)	1600*205*1001.5	1846*215*1180	2092*215*1319
VESA	500x400	600x400	800x400

Power Supply

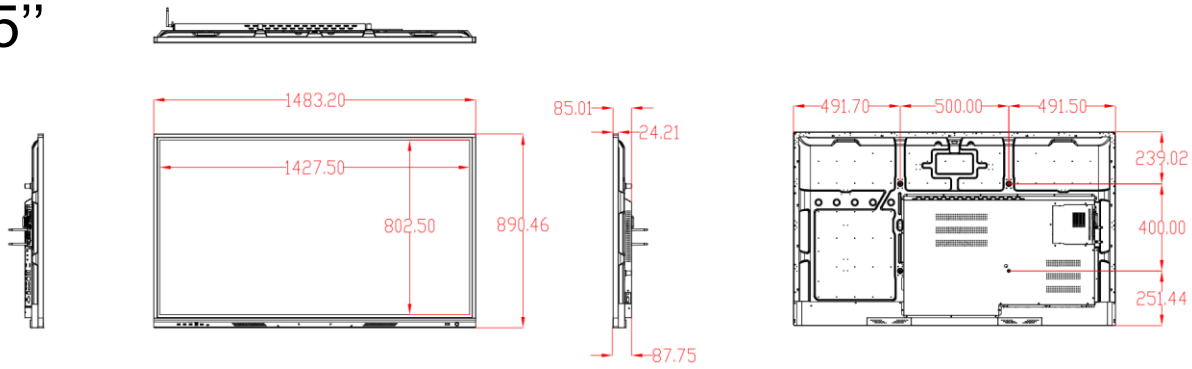
Consumption rate	≤190W	≤270W	≤320W
Standby power	≤1W		
Voltage range	AC100-240V~50/60Hz		
Speaker specification	2 x 15 watts		

Accessories

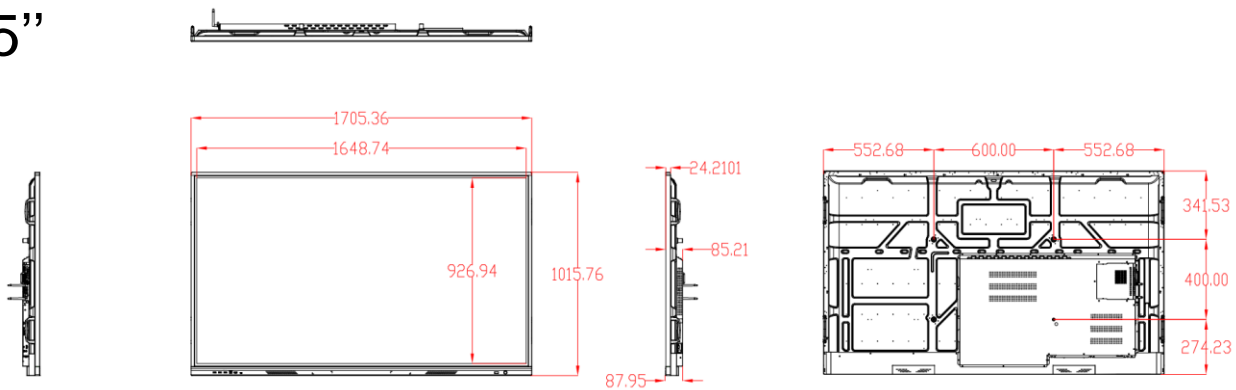
Power cable	x1
Wall mount	x1
Whiteboard pen	x2

Interactive flat panel

65''



75''



86''

