

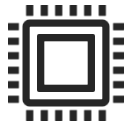
Interactive Flat Panel Display

EDUCATION SOLUTIONS

TA-65/TA-75/TA-86



UHD
Resolution



4GB RAM
32GB ROM



20 touch
points



Android 11



Zero bonding



Share screen



8 array



Split screen



Remote control





Size	65inch	75inch	86inch
Type	DLED		
Aspect ratio	16:9		
Screen display size (mm)	1428.2×803.18	1645.96×925.52	1870.16×1051.52
Physical resolution	3840 × 2160 (4k)		
Display color	10bit/1.07 Billion		
Refresh rate	60Hz		
Brightness	≥400cd/m ²		
Contrast	4000:1		
Response time	6ms		
Viewing angle	178°/ 178°		
Display protection	4mm full tempered high explosion-proof glass		
Backlight life	50000 hours		

System

CPU	Quad-core ARM Cortex-A55
System version	Android 11.0
RAM	4GB
ROM	32GB
Operating system	Support windows, Android, Mac OS, Linux
Operating temperature	0°C-40°C

Touch

Technology	IR
Touch points	20 points
Positioning Accuracy	1mm
Drive Mode	Drive Mode
Writing method	Fingers, touch pens or other non-transparent objects not less than 5mm in diameter
Palm erase	Yes
Communication Port	USB 2.0
Reaction time (Single touch)	< 6ms
Touch resolution	32768 x 32768
Times of touches	Unlimited time in theoretical
Transfer speed	12Mb/s
Touch time	More than 60 million times in the same position

Connectivity

Back port

HDMI IN	x2
USB-A 2.0	x1
USB-A 3.0	x1
AV IN	x1
RJ45	x1
USB Touch	x1

Earphone	EDUCATION SOLUTIONS	x1
AV OUT		x1
SPDIF OUT		x1
WIFI		Support IEEE 802.11 a/b/g/n/ac/ax, 2.4GHz/ 5GHz
Front port		
HDMI IN		x1
USB Touch		x1
USB-A 3.0		x3
Type-C(optional)		x1
Recovery system		x1 (For technicians)

Dimension

Overall dimensions (mm, LxDxH)	1486×89×901	1708×89×1026	1954×89×1165
Net weight	47.8kg	54kg	86kg
Gross weight	54.4kg	68kg	95.3kg
Packaging size (mm, LxWxT)	1653×1037×235	1873×1197×235	2135×1332×235
VESA	500x400	600x400	800x400

Power Supply

Consumption rate	≤190W	≤230W	≤320W
Standby power	≤1W		
Voltage range	AC100-240V~50/60Hz		
Speaker specification	2 x 15 watts		

Accessories

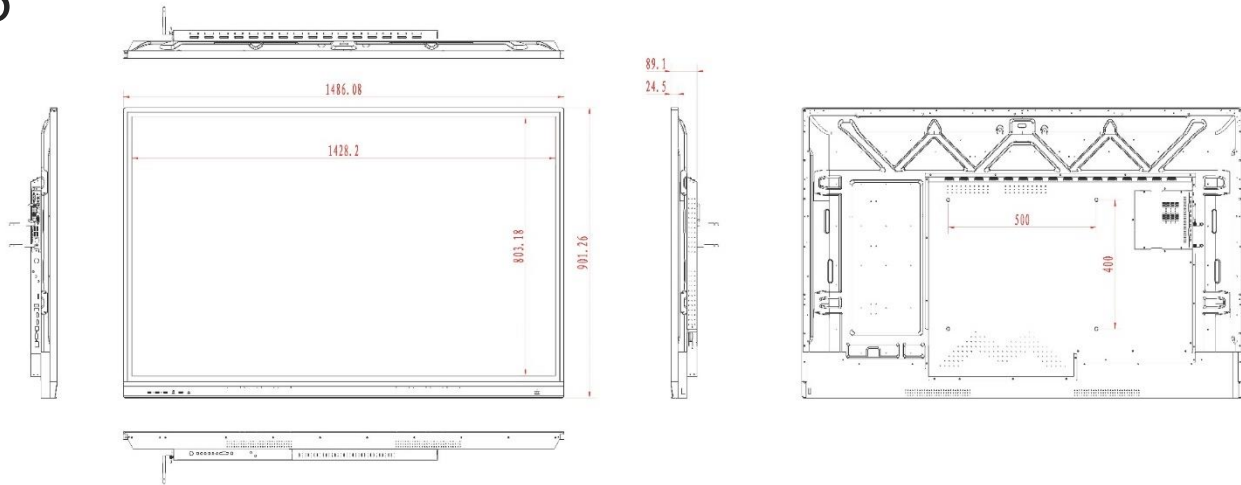
Power cable	x1
Remote control	x1
Wall mount	x1
HDMI & Touch USB cable	x1
Whiteboard pen	x2

Built-camera and mic parameter (optional)

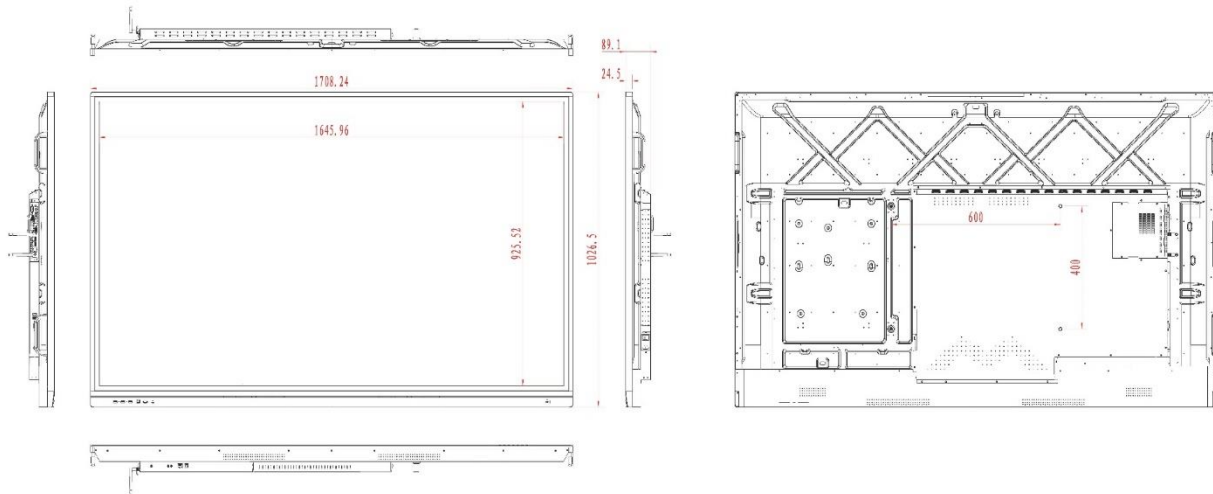
Microphones	8 integrated microphones
Pickup distance	10m
Sample rate	Sampling frequency 48K Hz; sampling number 24bit
Features	Full duplex, echo cancellation, noise suppression
Camera resolution	Support 1080P
Camera	8 Megapixels, top x 1
Camera lens angle	Not less than 90 degrees
Angle	105°/118°/120°



65''



75''



86''

